

Fuel Tank

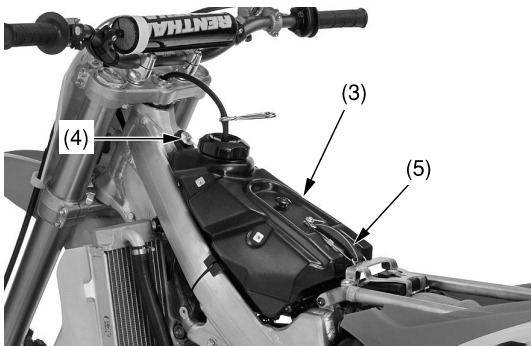
Installation

1. Install the fuel feed hose (1) to the clamp (2) if it is removed.



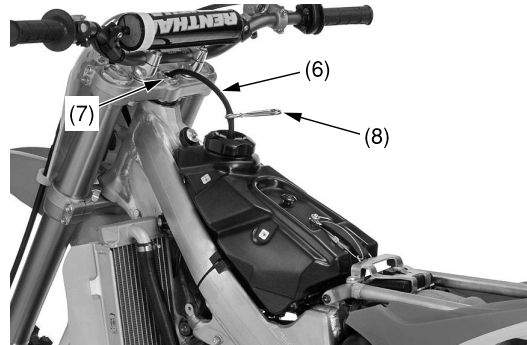
(1) fuel feed hose (2) clamp

2. Install the fuel tank (3) on the frame.
3. Install the collar and fuel tank bolt (4).
4. Hook the fuel tank band (5).



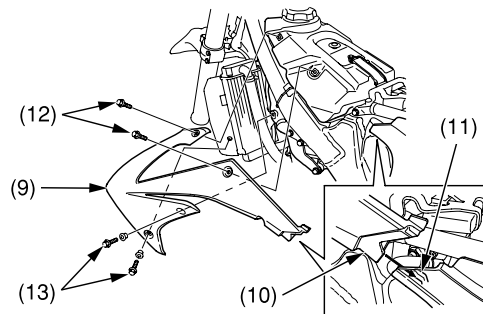
(3) fuel tank (4) collar and fuel tank bolt
(5) fuel tank band

5. Put the breather tube (6) in the steering stem nut (7).
6. Remove the hose clamp (8) from the breather tube.



(6) breather tube (7) steering stem nut
(8) hose clamp

7. Install the shrouds (9) by aligning shroud tabs (10) with the air cleaner housing cover tabs (11).



(9) shrouds
(10) shroud tabs
(11) air cleaner housing cover tabs
(12) shroud B bolts
(13) collars and shroud A bolts

8. Install the shroud B bolts (12), collars and shroud A bolts (13).
Tighten the shroud B bolts to the specified torque:
3.7 lbf·ft (5 N·m, 0.5 kgf·m)
9. Install the seat (page 33).