

## Drive Chain

### Drive Chain Rollers

1. Check the upper drive chain roller (1) and lower drive chain roller (2) for wear or damage.
2. Measure the diameter of the drive chain rollers and replace them if below the service limit.

Service Limit:

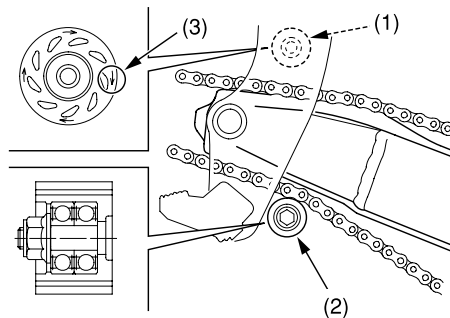
Upper roller: 1.5 in (39 mm)

Lower roller: 1.2 in (31 mm)

Replace the roller if necessary as follows. Install the upper drive chain roller (Green) with the “→” mark (3) facing toward the frame and lower drive chain roller (Black) as shown. Tighten the drive chain roller bolt and nut to the specified torque:

Upper roller bolt: 9 lbf·ft (12 N·m, 1.2 kgf·m)

Lower roller nut: 9 lbf·ft (12 N·m, 1.2 kgf·m)

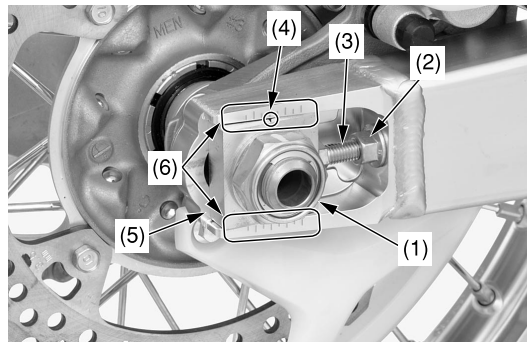


(1) upper drive chain roller  
(2) lower drive chain roller

(3) “→” mark

### Adjustment

1. Loosen the rear axle nut (1).
2. Loosen both lock nuts (2) and turn the adjusting bolts (3) counterclockwise to decrease slack or clockwise to increase slack. Align the index marks (4) of the axle plates (5) with the same reference marks (6) on both sides of the swingarm.



(1) rear axle nut  
(2) lock nut  
(3) adjusting bolt  
(4) index mark  
(5) axle plate  
(6) reference mark

3. Tighten the rear axle nut to the specified torque:  
94 lbf·ft (128 N·m, 13.1 kgf·m)
4. Recheck chain slack and adjust as necessary.
5. Loosen the adjusting bolt counterclockwise lightly until it touches the axle plate. Then, while holding the adjusting bolt with a wrench, tighten the lock nut to the specified torque:  
20 lbf·ft (27 N·m, 2.8 kgf·m)

### Lubrication

Commercially prepared drive chain lubricants may be purchased at most motorcycle shops and should be used in preference to motor oil. Pro Honda HP Chain Lube or an equivalent is recommended.

Saturate each chain joint so that the lubricant penetrates the space between adjacent surfaces of the link plates and rollers.

