

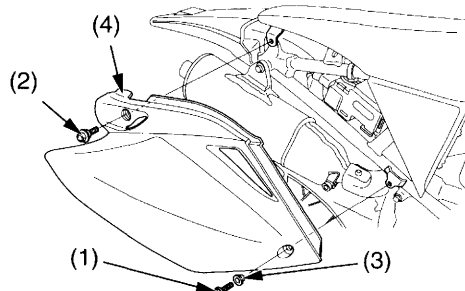
# Subframe Upright Position

Refer to *Safety Precautions* on page 25.

The subframe may be adjusted to an upright position to permit servicing of the rear suspension.

## Upright Position

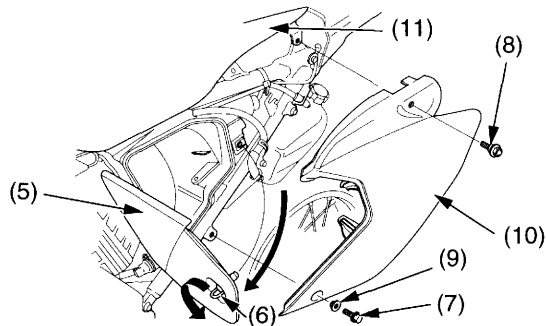
1. Remove the right side cover bolt (1), collar (3), seat mounting bolt (2) and right side cover (4).



- |                           |                      |
|---------------------------|----------------------|
| (1) right side cover bolt | (3) collar           |
| (2) seat mounting bolt    | (4) right side cover |

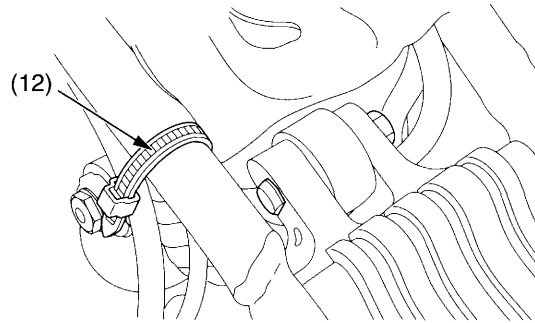
2. Open the air cleaner housing cover (5) by turning the quick fastener (6) counterclockwise and remove the left side cover bolt (7), collar (9), seat mounting bolt (8) and left side cover (10).

3. Remove the seat (11) (page 36).



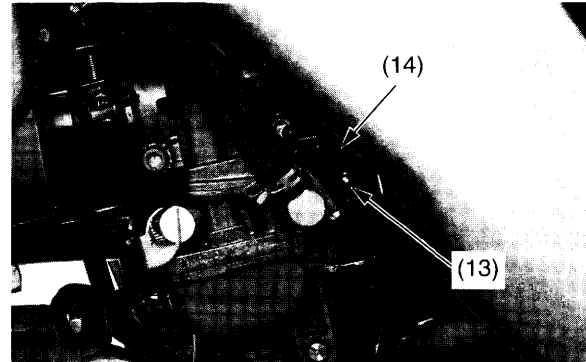
- |                               |                      |
|-------------------------------|----------------------|
| (5) air cleaner housing cover | (9) collar           |
| (6) quick fastener            | (10) left side cover |
| (7) left side cover bolt      | (11) seat            |
| (8) seat mounting bolt        |                      |

4. Remove the muffler (page 62).
5. Remove the wire band (12).



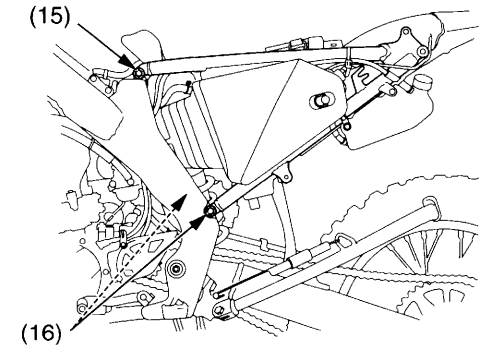
(12) wire band

6. Loosen the screw (13) on the air cleaner connecting tube clamp (14).



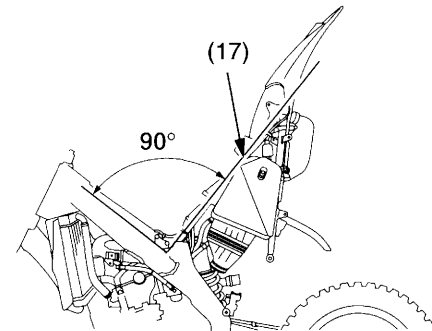
(13) screw  
(14) air cleaner connecting tube clamp

7. Loosen the subframe mounting upper bolt (15) and remove the subframe mounting lower bolts (16).



(15) subframe mounting upper bolt  
(16) subframe mounting lower bolts

8. Lift the subframe (17) as shown. Tighten the subframe mounting upper bolt to the specified torque:  
22 lbf·ft (30 N·m, 3.1 kgf·m)



(17) subframe