

Coolant

Your CRF's liquid cooling system dissipates engine heat through the coolant jacket that surrounds the cylinder and cylinder head.

Maintaining the coolant will allow the cooling system to work properly and prevent freezing, overheating, and corrosion.

Coolant Recommendation

Use Pro Honda HP Coolant or an equivalent high quality ethylene glycol antifreeze containing corrosion protection inhibitors specifically recommended for use in aluminum engines. Check the antifreeze container label.

Use only distilled water as a part of the coolant solution. Water that is high in mineral content or salt may be harmful to the aluminum engine.

NOTICE

Using coolant with silicate inhibitors may cause premature wear of water seals or blockage of radiator passages. Using tap water may cause engine damage.

The factory provides a 50/50 solution of antifreeze and water in this motorcycle. This coolant solution is recommended for most operating temperatures and provides good corrosion protection.

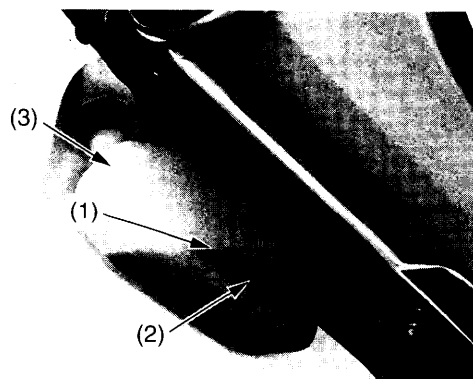
Decreasing the concentration of antifreeze to less than 40% will not provide proper corrosion protection.

Increasing the concentration of antifreeze is not recommended because it decreases cooling system performance. Higher concentrations of antifreeze (up to 60%) should only be used to provide additional protection against freezing. Check the cooling system frequently during freezing weather.

Checking & Adding Coolant

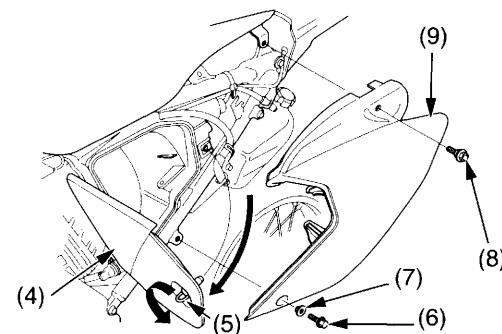
Refer to *Safety Precautions* on page 25.

1. With the engine at normal operating temperature, check the coolant level in the reserve tank. It should be between the UPPER (1) and LOWER (2) level marks. If the reserve tank (3) is empty, or if coolant loss is excessive, check for leaks and see your Honda dealer for repair.



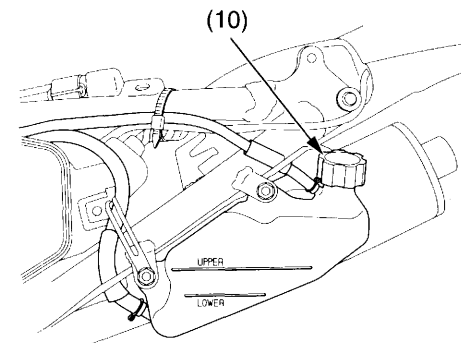
(1) UPPER level mark (3) reserve tank
(2) LOWER level mark

2. Open the air cleaner housing cover (4) by turning the quick fastener (5) counterclockwise and remove the left side cover bolt (6), collar (7), seat mounting bolt (8) and left side cover (9).



(4) air cleaner housing cover (7) collar
(5) quick fastener (8) seat mounting bolt
(6) left side cover bolt (9) left side cover

3. Remove the reserve tank cap (10). Always add coolant to the reserve tank. Do not attempt to add coolant by removing the radiator cap.



(10) reserve tank cap