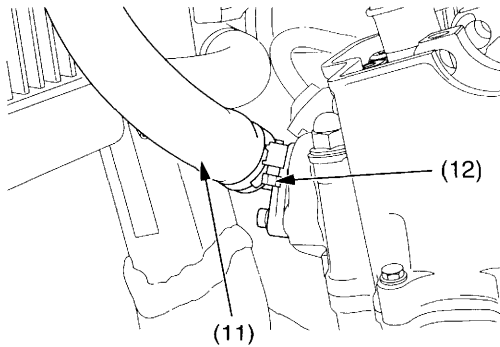


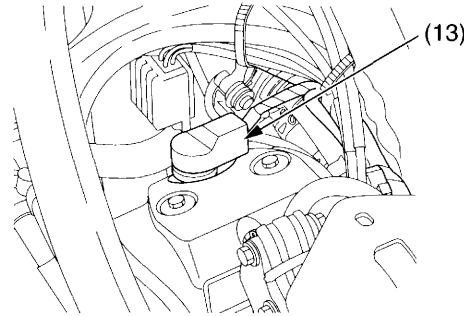
6. Connect the radiator hose (11) to the cylinder head and tighten the radiator hose clamp (12) securely.



- (11) radiator hose
- (12) radiator hose clamp

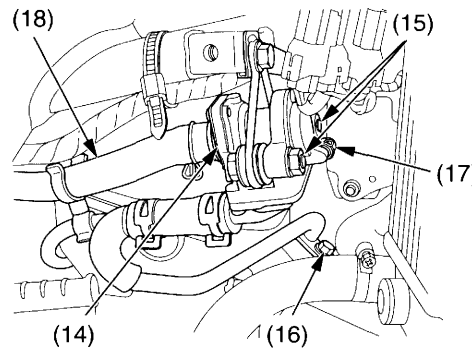
7. Install the shims and camshaft (page 71).
8. Install the spark plug (page 61).

9. Install the cylinder head cover (page 73). Connect the direct ignition coil (13).



- (13) direct ignition coil

10. Install the PAIR control valve (14), PAIR control valve bolts/nuts (15) and air supply pipe bolt (16).
11. Tighten the PAIR control valve nuts and air supply pipe bolt to the specified torque:
7 lbf-ft (10 N·m, 1.0 kgf-m)
12. Connect the vacuum (17) and air suction (18) hoses.



- (14) PAIR control valve
- (15) PAIR control valve bolts/nuts
- (16) air supply pipe bolt
- (17) vacuum hose
- (18) air suction hose

13. Install the exhaust pipe (page 64).
14. Install the carburetor (page 133).
15. Install the subframe and muffler (pages 40, 63).
16. Install the fuel tank and the seat (pages 36, 38).
17. Fill the cooling system with the recommended radiator coolant (page 48).