

Additional Maintenance Procedures

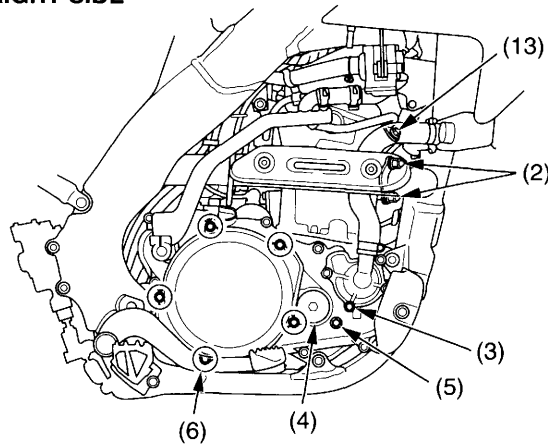
Nuts, Bolts, Fasteners

Check and tighten nuts, bolts, and fasteners before every outing.

ENGINE

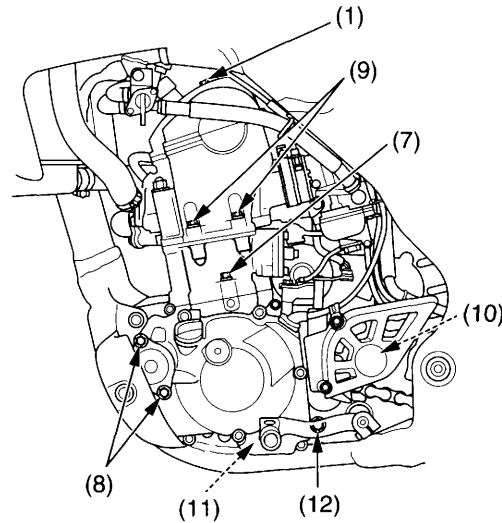
	Item	Torque		
		lb•ft	N•m	kg•m
1	Cylinder head cover bolts	7	10	1.0
2	Exhaust pipe joint nuts	15	21	2.1
3	Coolant drain bolt	7	10	1.0
4	Crankshaft hole cap	11	15	1.5
5	Transmission oil check bolt	9	12	1.2
6	Clutch cover bolts	7	10	1.0
7	Cylinder bolt	7	10	1.0
8	Oil filter cover bolts	9	12	1.2
9	Cylinder head bolts	7	10	1.0
10	Drive sprocket bolt	23	31	3.2
11	Engine oil drain bolt	12	16	1.6
12	Transmission oil drain bolt	12	16	1.6
13	Air supply pipe bolt	7	10	1.0

RIGHT SIDE



- (2) exhaust pipe joint nuts
- (3) coolant drain bolt
- (4) crankshaft hole cap
- (5) transmission oil check bolt
- (6) clutch cover bolts
- (13) air supply pipe bolt

LEFT SIDE



- (1) cylinder head cover bolts
- (7) cylinder bolt
- (8) oil filter cover bolts
- (9) cylinder head bolts
- (10) drive sprocket bolt
- (11) engine oil drain bolt
- (12) transmission oil drain bolt