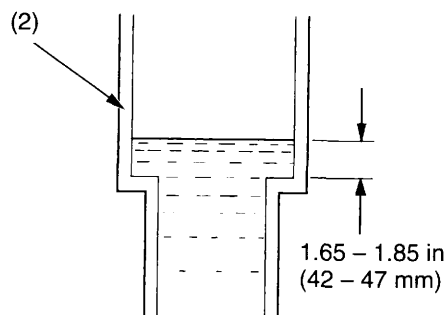


Front Suspension Adjustments

8. Extend the fork damper piston rod to maximum. Adjust the oil level of the fork damper (2) as shown.
Oil Level: 1.65 – 1.85 in (42 – 47 mm)

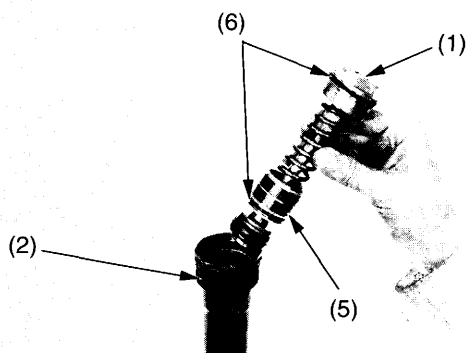


(2) fork damper

9. Apply fork oil to the bushing (5) and new O-ring (6) on the fork cap assembly (1). Extend the fork damper piston rod to maximum, holding it, install the fork cap assembly to the fork damper (2).

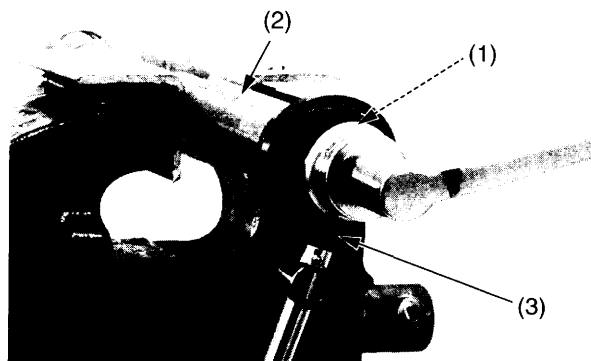
Be careful not to damage the fork cap bushing.

If it is difficult to install the fork cap assembly, the fork damper oil level might be higher than standard oil level. Inspect the fork damper oil level again.



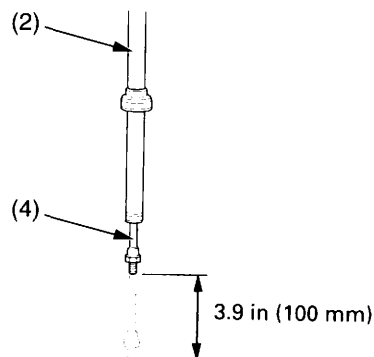
(1) fork cap assembly
(2) fork damper
(5) bushing
(6) O-ring

10. Tighten the fork cap assembly (1) while holding the cut out of the fork damper (2) using the lock nut wrench (3) to the specified torque:
22 lbf-ft (30 N-m, 3.1 kgf-m)



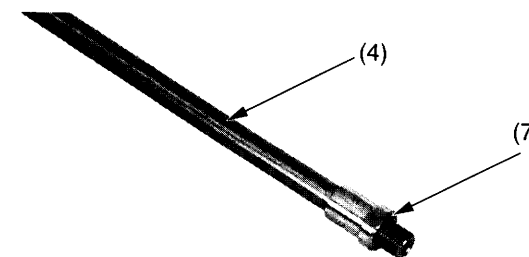
(1) fork cap assembly
(2) fork damper
(3) lock nut wrench

11. Hold the fork damper (2) in an upright position and pump the fork damper piston rod (4) to 3.9 in (100 mm) slowly several times.



(2) fork damper
(4) fork damper piston rod

12. Screw in the lock nut (7) to the fork damper piston rod (4) fully.



(4) fork damper piston rod
(7) lock nut

Turn the rebound adjuster and compression adjuster counterclockwise to the softest position. Check the fork damper piston rod sliding surface for damage.

Apply fork oil to the fork damper piston rod sliding surface.

Cover the fork damper piston rod end with soft jaws to prevent fork damage.

NOTICE

Be careful not to bend or damage the fork damper piston rod when the piston rod is stroked.