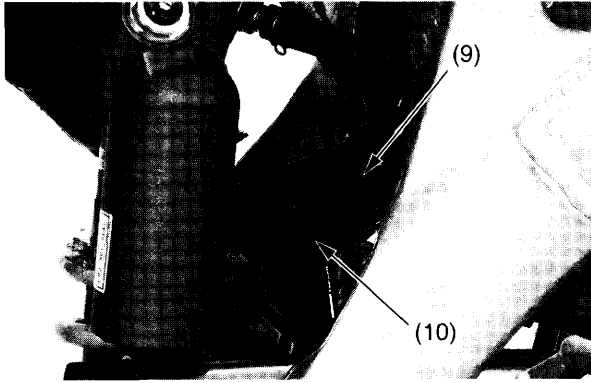
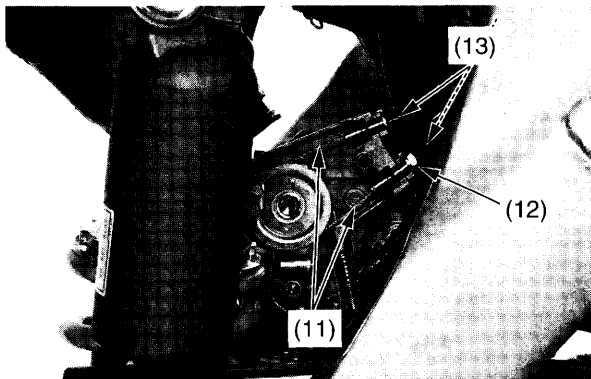


10. Remove the throttle drum cover bolt (9) and throttle drum cover (10).



(9) throttle drum cover bolt
(10) throttle drum cover

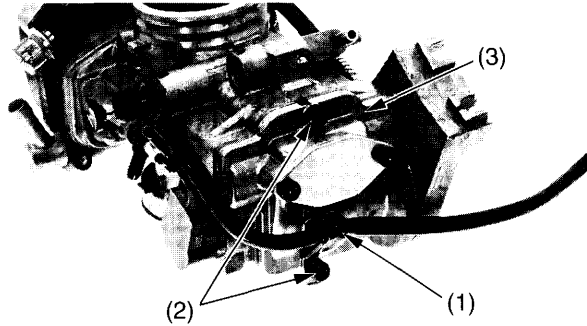
11. Remove the throttle cables (11) by loosening the throttle cable lock nut (12) and adjusting nuts (13).



(11) throttle cables
(12) throttle cable lock nut
(13) adjusting nuts

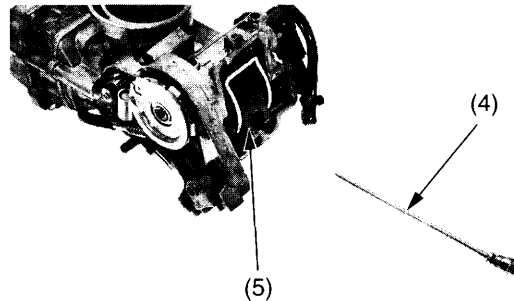
Carburetor Disassembly

1. Pull up the cable clamp (1) and remove the carburetor top cover bolts (2). Then remove the carburetor top cover (3).



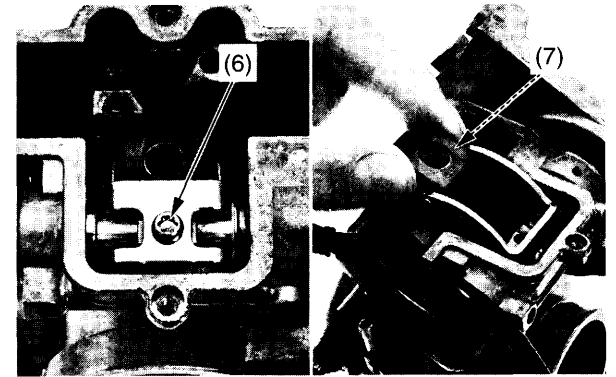
(1) cable clamp
(2) carburetor top cover bolts
(3) carburetor top cover

2. Remove the jet needle/holder assembly (4) from the throttle valve (5).

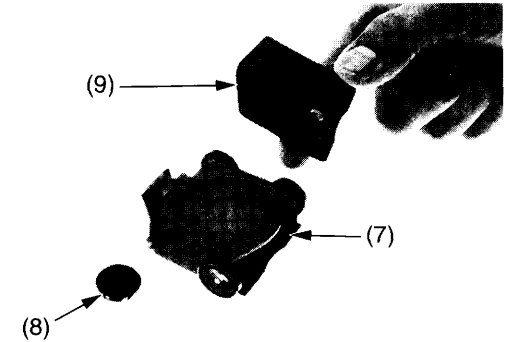


(4) jet needle/holder assembly
(5) throttle valve

3. Remove the link arm set torx screw (6). When installing the link arm set torx screw, apply a locking agent to the link arm set torx screw threads.
4. Remove the throttle valve (7), throttle valve roller (8) and floating valve (9).



(6) link arm set torx screw
(7) throttle valve
(8) throttle valve roller
(9) floating valve



(cont'd)