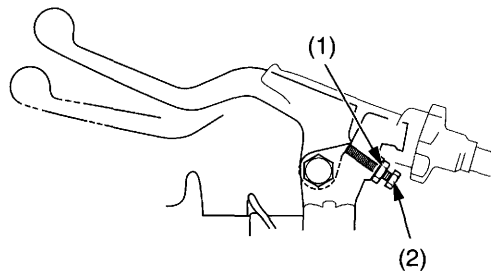


Refer to *Safety Precautions* on page 19.

## Clutch Lever Adjustment

The distance between the tip of the clutch lever and the grip may be adjusted.

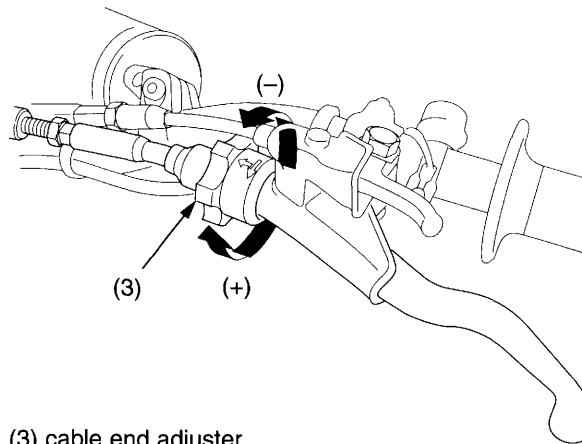
Make sure to adjust the clutch lever freeplay after the clutch lever position adjustment or clutch cable disconnected.



(1) lock nut (2) adjuster

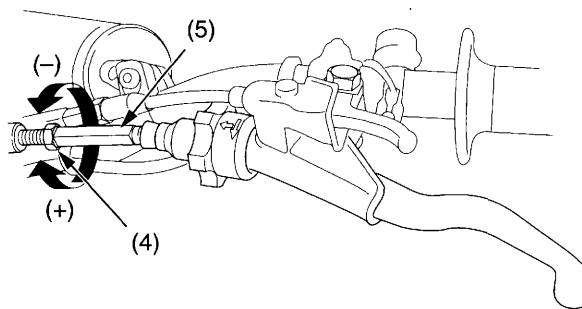
1. Loosen the lock nut (1).
2. To position the clutch lever farther away from the handgrip, turn the adjuster (2) counterclockwise. To position the brake lever closer to the handgrip, turn the adjuster clockwise.
3. Tighten the lock nut.

4. Turn the cable end adjuster (3) in direction (+) until it seats lightly and then turn it out five turns.



(3) cable end adjuster  
(+) increase freeplay  
(-) decrease freeplay

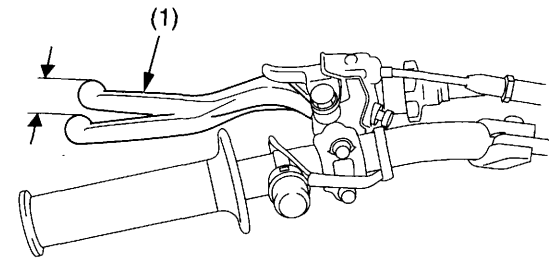
5. Loosen the lock nut (4) and turn the integral cable adjuster (5) to adjust the clutch lever freeplay 10 – 20 mm (0.4 – 0.8 in) at the tip of lever. Tighten the lock nut.



(4) lock nut  
(5) integral cable adjuster  
(+) increase freeplay  
(-) decrease freeplay

6. Adjust the cable end adjuster for minor adjustment (page 50).

## Clutch Lever Freeplay



(1) clutch lever

### Inspection

Check freeplay.

Freeplay: 10 – 20 mm (0.4 – 0.8 in)

If necessary, adjust to the specified range. Improper freeplay adjustment can cause premature clutch wear.

Make sure to adjust the clutch lever freeplay after the clutch cable is disconnected.