

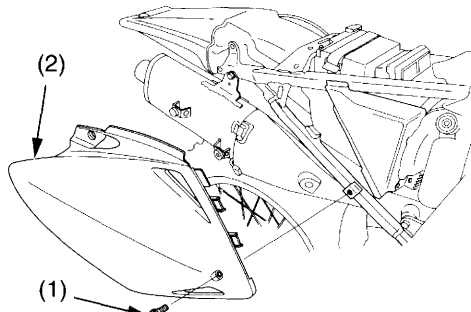
# Subframe Upright Position

Refer to *Safety Precautions* on page 25.

The subframe may be adjusted to an upright position to permit servicing of the rear suspension and carburetor.

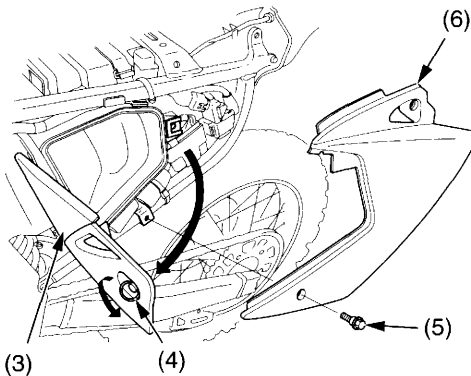
## Upright Position

1. Remove the seat (page 36).
2. Remove the right side cover bolt (1) and right side cover (2).



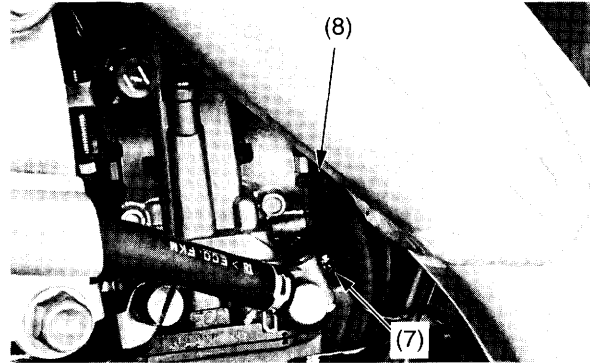
- (1) right side cover bolt  
(2) right side cover

3. Open the air cleaner housing cover (3) by turning the quick fastener (4) counterclockwise and remove the left side cover bolt (5) and left side cover (6).



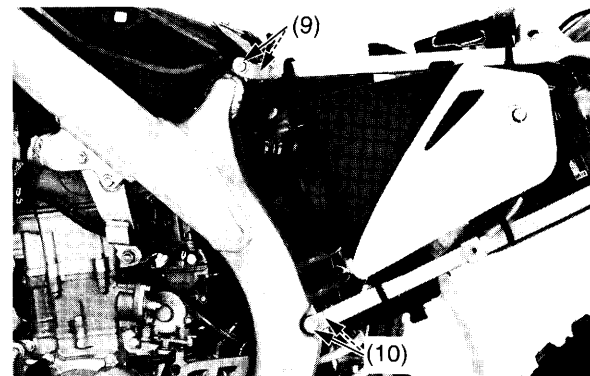
- (3) air cleaner housing cover (5) left side cover bolt  
(4) quick fastener (6) left side cover

4. Remove the muffler (page 62).
5. Loosen the screw (7) on the air cleaner connecting boot clamp (8).



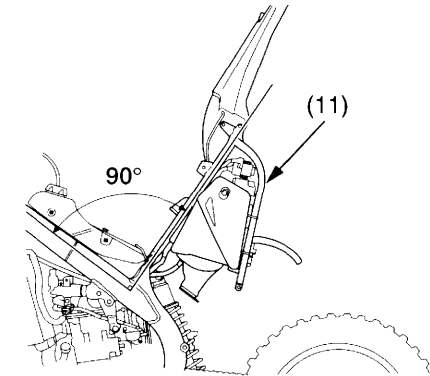
- (7) screw  
(8) air cleaner connecting boot clamp

6. Loosen the subframe upper mounting bolts (9) and remove the subframe lower mounting bolts (10).



- (9) subframe upper mounting bolts  
(10) subframe lower mounting bolts

7. Lift the subframe (11) as shown. Tighten the subframe upper mounting bolts to the specified torque:  
36 lbf·ft (49 N·m, 5.0 kgf·m)



- (11) subframe