

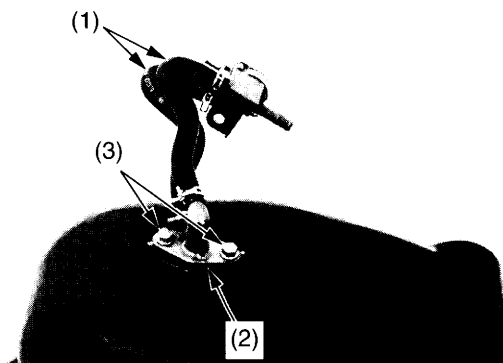
Fuel System

Fuel Filter

The fuel filter is mounted on the bottom left side of the fuel tank. Dirt accumulated in the filter will restrict the flow of the fuel to the carburetor. Therefore, the fuel filter should be serviced frequently.

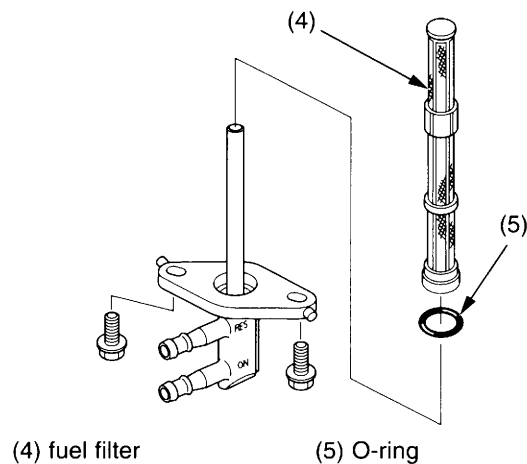
To service the fuel filter:

1. Remove the fuel tank (page 37).
2. Drain the fuel from the fuel tank into an approved gasoline container. Disconnect the fuel valve and fuel lines (1).
3. Remove the fuel joint (2) from the fuel tank by removing the bolts (3).



- (1) fuel valve and fuel lines
(2) fuel joint
(3) bolts

4. Wash the fuel filter (4) in high flash-point cleaning solvent.
5. Check that the O-ring (5) is in good condition.
6. Install the fuel joint in the fuel tank by tightening the bolts to the specified torque: 7 lbf·ft (10 N·m, 1.0 kgf·m). Attach the fuel valve and fuel lines.
7. Install the fuel tank (page 38). Refill the fuel tank and turn the fuel valve to ON or RES; check for fuel leaks.



(4) fuel filter

(5) O-ring