

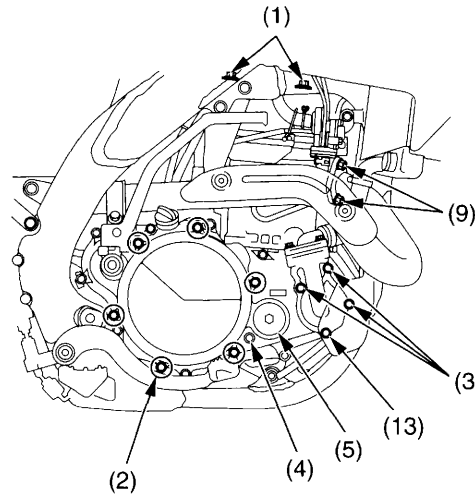
Additional Maintenance Procedures

Nuts, Bolts, Fasteners

Check and tighten nuts, bolts, and fasteners before every outing.

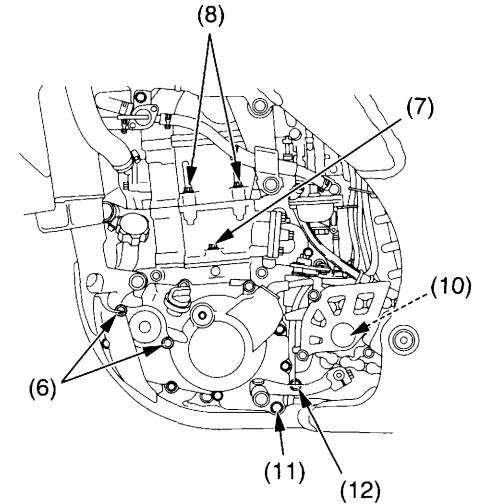
Item	Torque			
	lbf•ft	N•m	kgf•m	
ENGINE				
1	Cylinder head cover bolts	7	10	1.0
2	Clutch cover bolts	7	10	1.0
3	Water pump cover bolts	7	10	1.0
4	Transmission oil check bolt	7	10	1.0
5	Crankshaft hole cap	11	15	1.5
6	Oil filter cover bolts	7	10	1.0
7	Cylinder bolt	7	10	1.0
8	Cylinder head bolts	7	10	1.0
9	Exhaust pipe joint nuts	15	21	2.1
10	Drive sprocket bolt	23	31	3.2
11	Engine oil drain bolt	12	16	1.6
12	Transmission oil drain bolt	12	16	1.6
13	Coolant drain bolt	7	10	1.0

RIGHT SIDE



- (1) cylinder head cover bolts
- (2) clutch cover bolts
- (3) water pump cover bolts
- (4) transmission oil check bolt
- (5) crankshaft hole cap
- (9) exhaust pipe joint nuts
- (13) coolant drain bolt

LEFT SIDE



- (6) oil filter cover bolts
- (7) cylinder bolt
- (8) cylinder head bolts
- (10) drive sprocket bolt
- (11) engine oil drain bolt
- (12) transmission oil drain bolt