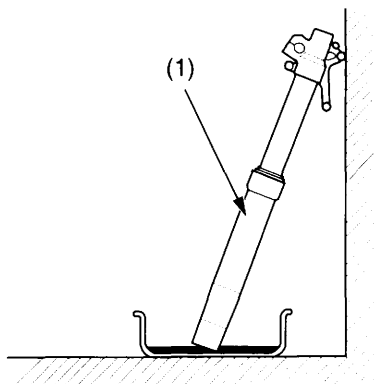


Front Suspension Adjustments

Fork Assembly

1. Drain the fork oil from the fork assembly (1) by placing it upside down. (About 0.2 US oz (7cm³) of fork oil will be left in the fork assembly when it is left inverted for about 20 minutes at 20°C (68°F).)



(1) fork assembly

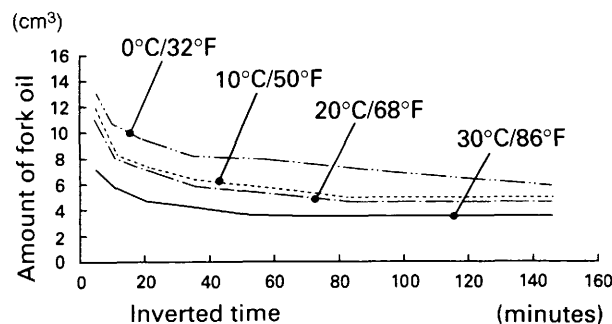
To properly dispose of drained fluids, refer to *You & the Environment* (page 151).

NOTICE

Improper disposal of drained fluids is harmful to the environment.

Amount of fork oil left in the fork (without damper and spring) unit: cm³

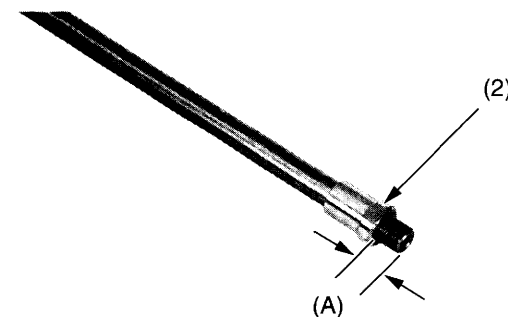
minute °C/°F	5	10	20	35	55	85	145
30/86	7.1	5.9	4.7	4.2	3.5	3.5	3.5
20/68	10.6	8.2	7.1	5.9	5.6	4.7	4.7
10/50	11.8	8.3	7.2	6.2	5.8	4.9	4.8
0/32	12.9	10.6	9.4	8.2	7.9	7.1	5.9



2. Tighten the fork center bolt lock nut (2) fully and measure the thread length (A) as shown.

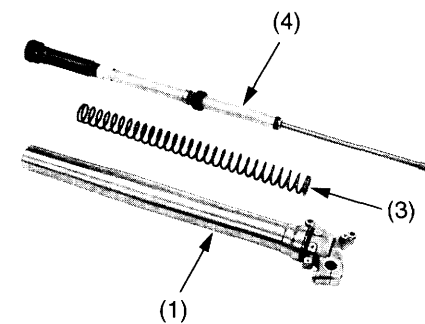
Standard: 0.4 – 0.5 in (11 – 13 mm)

Wipe the oil completely off the fork damper.



(2) fork center bolt lock nut (A) thread length

3. Blow out the oil completely off the fork spring (3) using the compressed air. Install the fork spring. Install the fork damper assembly (4) to the fork assembly (1).



(1) fork assembly
(3) fork spring

(4) fork damper assembly