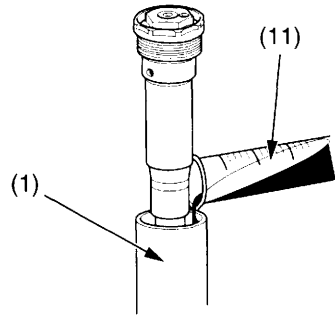


Front Suspension Adjustments

13. Pour the recommended fork oil (11) into the fork assembly (1).

Recommended Oil:
Pro Honda HP Fork Oil 5 W or equivalent.

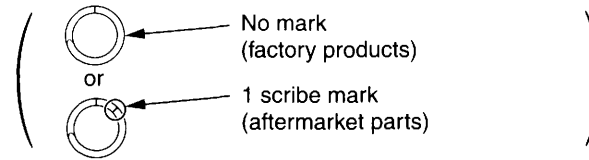


(1) fork assembly

(11) fork oil

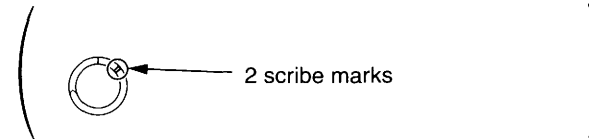
Fork Oil Capacity:

Standard 26.32 lbf/in (0.47 kgf/mm) Fork Spring



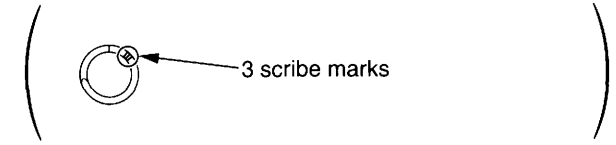
Standard oil capacity	11.0 US oz (324 cm ³)	
Maximum oil capacity	13.6 US oz (402 cm ³)	Slightly stiffer as it nears full compression.
Minimum oil capacity	10.3 US oz (306 cm ³)	Slightly softer as it nears full compression.

Optional Softer 25.20 lbf/in (0.45 kgf/mm) Fork Spring



Standard oil capacity	11.2 US oz (330 cm ³)	
Maximum oil capacity	13.8 US oz (407 cm ³)	Slightly stiffer as it nears full compression.
Minimum oil capacity	10.5 US oz (311 cm ³)	Slightly softer as it nears full compression.

Optional Stiffer 27.44 lbf/in (0.49 kgf/mm) Fork Spring



Standard oil capacity	11.1 US oz (327 cm ³)	
Maximum oil capacity	13.7 US oz (405 cm ³)	Slightly stiffer as it nears full compression.
Minimum oil capacity	10.5 US oz (309 cm ³)	Slightly softer as it nears full compression.

Be sure the oil capacity is the same in both fork legs.