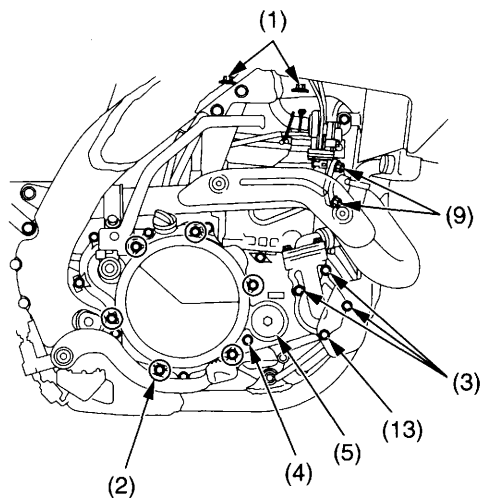
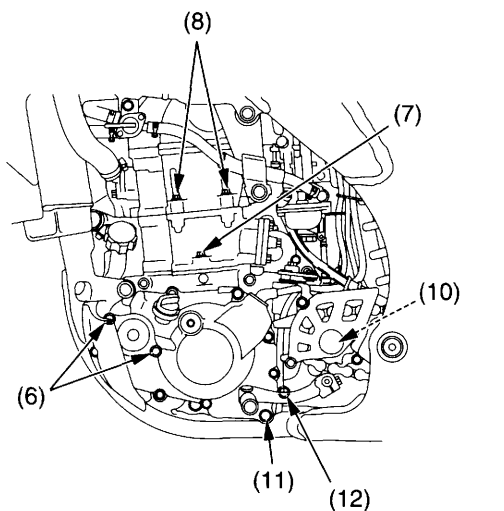


# Torque Specifications

## Nuts, Bolts, Fasteners

Check and tighten nuts, bolts, and fasteners before every outing.

### Engine



### ENGINE

	Item	Torque			Remarks
		lbf•ft	N•m	kgf•m	
1	Cylinder head cover bolts	7	10	1.0	
2	Clutch cover bolts	7	10	1.0	
3	Water pump cover bolts	7	10	1.0	
4	Transmission oil check bolt	7	10	1.0	
5	Crankshaft hole cap	11	15	1.5	NOTE 2
6	Oil filter cover bolts	7	10	1.0	
7	Cylinder bolt	7	10	1.0	
8	Cylinder head bolts	7	10	1.0	
9	Exhaust pipe joint nuts	15	21	2.1	
10	Drive sprocket bolt	23	31	3.2	NOTE 1
11	Engine oil drain bolt	12	16	1.6	NOTE 3
12	Transmission oil drain bolt	12	16	1.6	NOTE 3
13	Coolant drain bolt	7	10	1.0	

NOTES: 1. UBS bolt.  
 2. Apply grease to the threads.  
 3. Apply oil to the threads and seating surface