

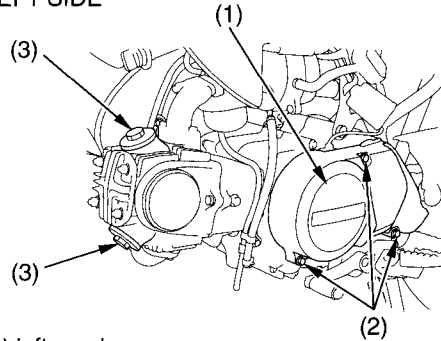
# Valve Clearance

Refer to *Safety Precautions* on page 43.

Excessive valve clearance will cause noise and eventual engine damage. Little or no clearance will prevent the valve from closing and cause valve damage and power loss. Check valve clearance when the engine is cold at the intervals specified in the Maintenance Schedule.

The checking or adjusting of the clearance should be performed while the engine is cold. The clearance will change as engine temperature rises.

LEFT SIDE



- (1) left crankcase cover
- (2) bolts
- (3) adjusting hole caps

1. Remove the left crankcase cover ( 1 ) by removing the bolts ( 2 ).
2. Remove the adjusting hole caps ( 3 ).

(cont'd)