

Engine Oil

Engine oil quality is the chief factor affecting engine service life. Change the engine oil as specified in the maintenance schedule (page 39).

NOTE:

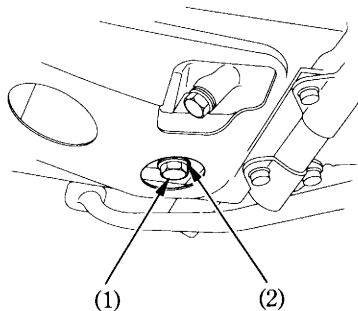
* Change the engine oil with the engine at normal operating temperature and the motorcycle on its center stand to assure complete and rapid draining.

1. To drain the oil, remove the oil filler cap and oil drain plug (1) and sealing washer (2).

▲WARNING

* A warmed-up engine and the oil in it are hot; be careful not to burn yourself.

2. With the engine stop switch OFF, operate the kickstarter several times to drain any oil which may be left in the engine.



(1) Drain plug

(2) Sealing washer