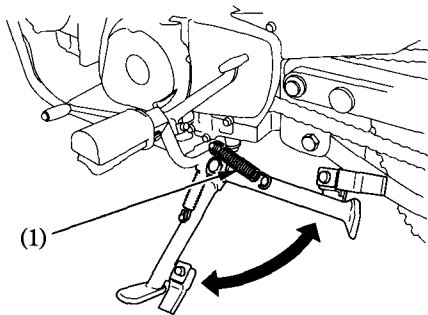


SIDE STAND

Refer to the Safety Precautions on page 50.

Check the side stand spring (1) for damage and loss of tension, and the side stand assembly for freedom of movement.

If the side stand is squeaky or stiff, clean the pivot area and lubricate the pivot bolt with clean engine oil.

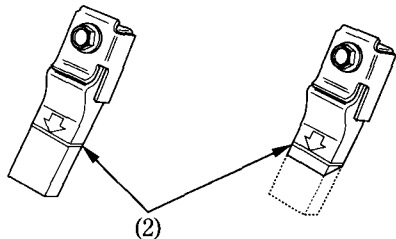


(1) Side stand spring

Check the rubber pad for deterioration and wear. Replace if wear extends to the wear line (See (2) in the picture). Check the side stand assembly for freedom of movement. If parts must be replaced, please contact your Honda dealer.

GOOD

REPLACE



Replace if wear extends to any point of the wear line.

(2) Wear line