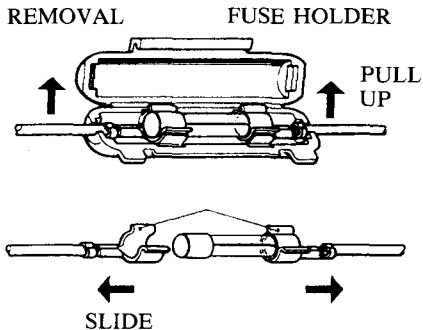


(UY, UB, NZ)

To replace the fuse, open the fuse holder and lift out the fuse with the clips (2). Slide the old fuse out of the clips and discard it. Slide the clips onto the ends of the new fuse, push them back into the fuse holder, and close the fuse holder.



(2) Clips

(SA, D)

To replace the fuse, open the fuse holder and slide the old fuse out of the holder. Discard it. Slide a new fuse into the holder and close the fuse holder.

