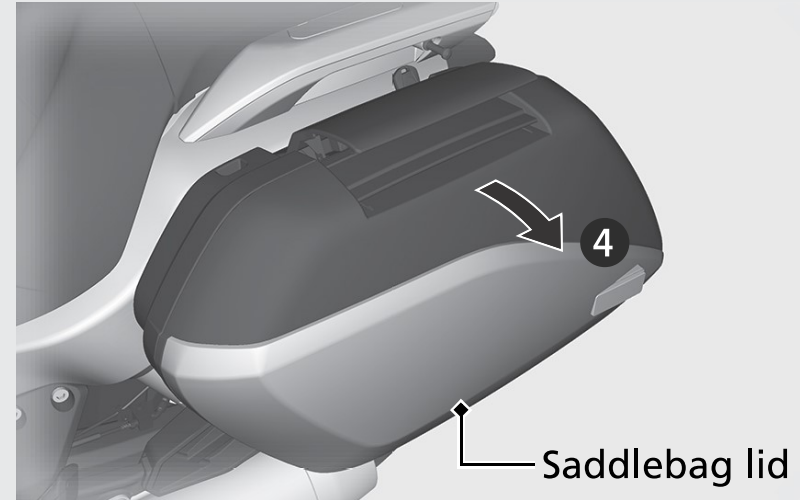
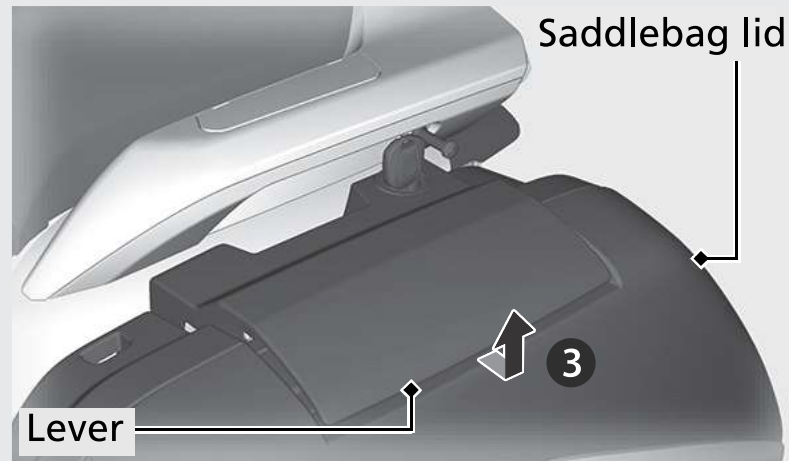
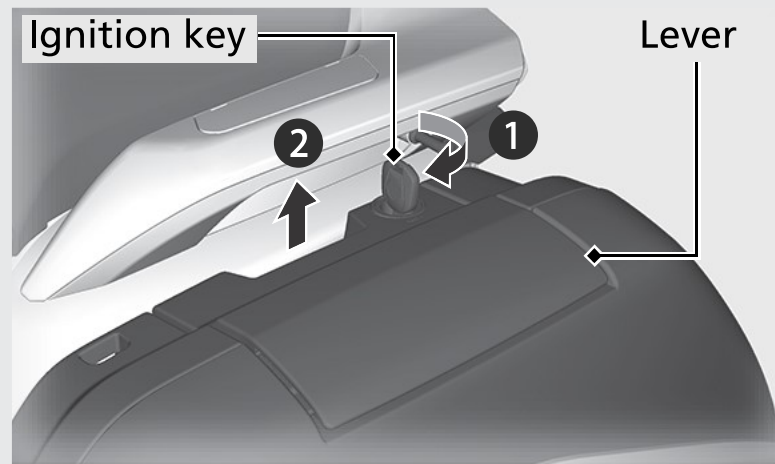


Storage Equipment *(Continued)*

Saddlebag

Never exceed the maximum weight capacity.

Maximum weight: 9.0 kg (20.0 lb)



Opening the Saddlebag

The right and left saddlebags can be opened in the same manner.

- 1 Insert the ignition key, and turn it clockwise.
- 2 Pull the lever upwards.
- 3 Slide the lever to the outside and release the lever from the saddlebag lid.
- 4 Open the saddlebag lid.

Closing the Saddlebag

Close the saddlebag in the reverse order of opening.