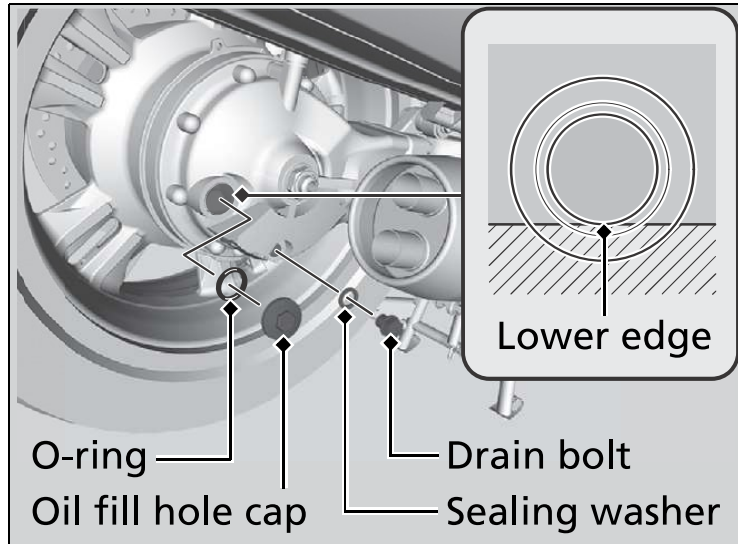


## Changing Final Drive Oil

1. Place your motorcycle on its centre stand on a level surface.
2. Place a drain pan under the drain bolt.
3. Remove the oil fill hole cap, O-ring, drain bolt and sealing washer to drain the oil.



4. Install a new sealing washer onto the drain bolt. Tighten the drain bolt.

**Torque:** 20 N·m (2.0 kgf·m, 15 lbf·ft)

5. Fill the final gear with the recommended oil. ➤ P. 80

**Required oil:**

155 cm<sup>3</sup> (5.2 US oz, 5.5 Imp oz)

6. Check the oil level. It should be flush with the lower edge of the oil fill hole.
7. Install a new O-ring onto the oil fill hole cap. Tighten the oil fill hole cap.

**Torque:** 12 N·m (1.2 kgf·m, 9 lbf·ft)

8. Check that there are no oil leaks.