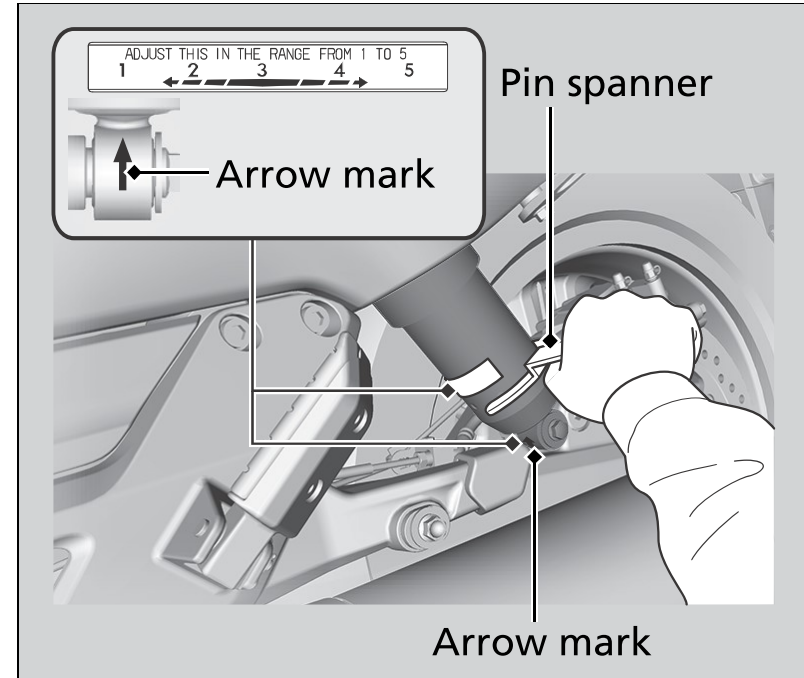


Adjusting the Rear Suspension

Spring Preload

You can adjust the spring preload by the adjuster to suit the load or the road surface.

1. Remove the right and left saddlebags.
► P. 90
2. Adjust the spring preload aligning the adjustment position with the arrow mark.
 - Use the pin spanner provided in the tool kit (► P. 67) to turn the adjuster.
 - The position 2 to 5 are for increase spring preload (hard).
 - The standard position is 1.
3. Install the parts in the reverse order of removal.



NOTICE

Adjust both left and right shock absorbers to the same spring preload.