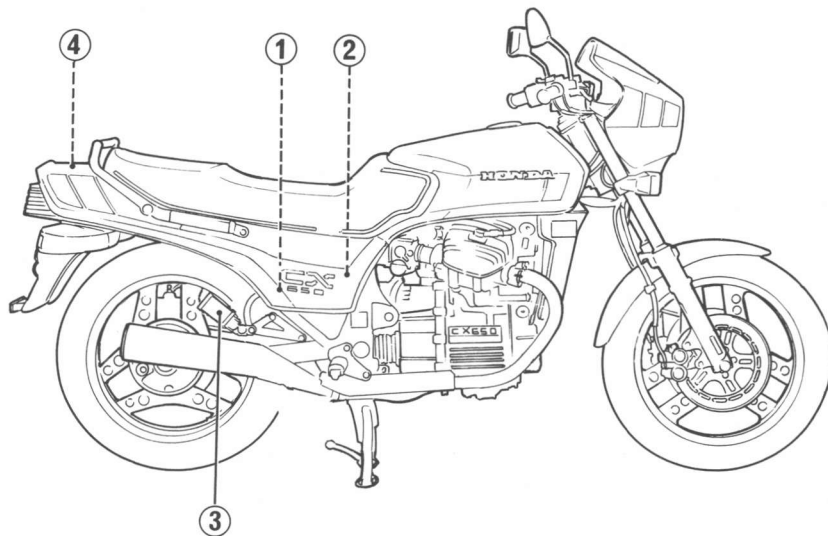


ED Type
Tipo ED
Type ED
ED Modell



- (1) Rear brake fluid reservoir
- (2) Rear suspension air valve
- (3) Passenger foot peg

- (4) Storage compartment
- (5) Rear brake pedal