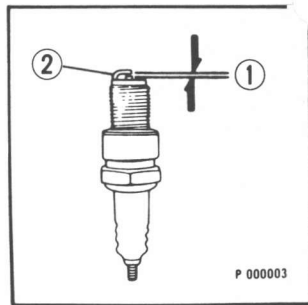


Spark Plug

	NGK	ND
Standard	DPR8EA-9	X24EPR-U9
Option	DPR9EA-9	X27EPR-U9

1. Remove the spark plug lead and take out the plug with the special wrench provided in the tool kit.



Bujías

	NGK	ND
Standard	DPR8EA-9	X24EPR-U9
Opción	DPR9EA-9	X27EPR-U9

1. Quite el conductor de la bujía mediante la llave especial provista en la bolsa de herramientas.