

SEAT LOCK

The seat lock (1) is on the left side below the seat.

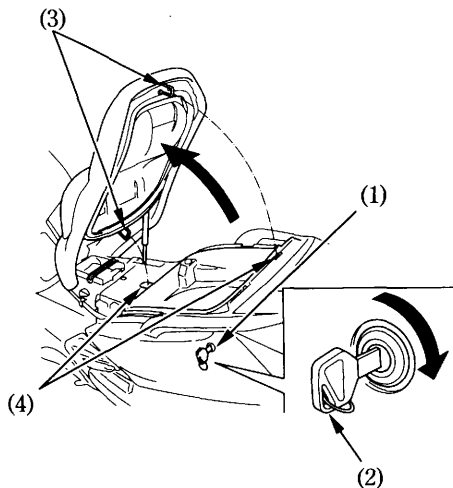
To lift the seat, insert the ignition key (2) and turn it clockwise to unlock.

Pull the seat up.

To lock the seat, lower and push down on the reverse side of the hooks (3) of the seat until it locks.

Before riding, make sure the seat is closed securely. If not closed, the trunk light will remain lit, resulting in battery discharge.

Do not place luggage or clothing near the seat catch (4). It could make the seat difficult to open if it gets caught between the seat hook and catch while closing the seat.



(1) Seat lock
(2) Ignition key

(3) Hooks
(4) Seat catch