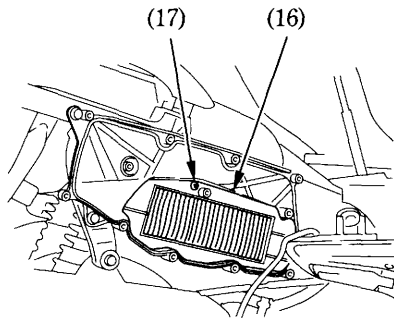


10. Remove the air cleaner (16) by removing the screw D (17).
11. Discard the air cleaner.
12. Install a new air cleaner.
Use the Honda genuine air cleaner or an equivalent air cleaner specified for your model. Using the wrong Honda air cleaner or a non-Honda air cleaner which is not of equivalent quality may cause premature engine wear or performance problems.
13. Install the removed parts in the reverse order of removal.
 - Make sure that the wire harness is installed in the guide securely.



(16) Air cleaner
(17) Screw D