

Fuse Box:

The fuse boxes are located under the seat.

The specified fuses are:

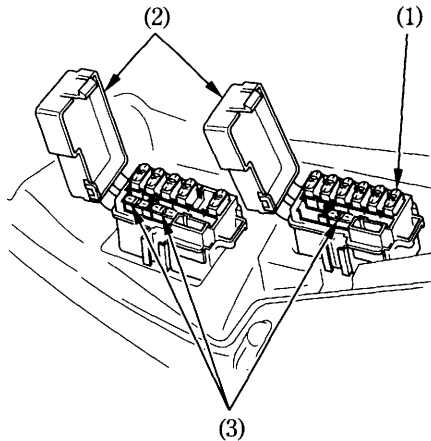
10A, 15A, 30A ...FJS600A

10A, 15A ...FJS600D

The main fuse B (1) is in the fuse box. The specified fuse is:

30A

1. Open the seat (page 56).
2. Open the fuse box covers (2).
3. Pull out the old fuse and install a new fuse.
The spare fuses (3) are located in the fuse boxes.
4. Close the fuse box covers and seat.



- (1) Main fuse B
- (2) Fuse box covers
- (3) Spare fuses