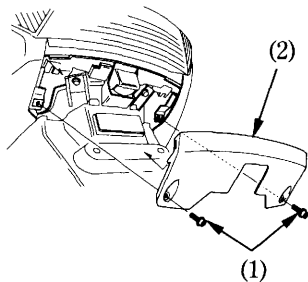


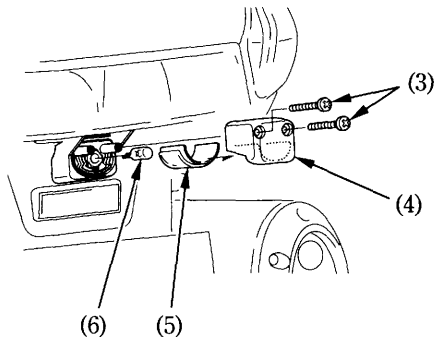
## License Light Bulb

1. Remove the screws A (1) and rear cover (2).
2. Remove the screws B (3), license light cover (4) and license light lens (5).
3. Pull out the bulb (6) without turning.
4. Install a new bulb in the reverse order of removal.



(1) Screws A

(2) Rear cover



(3) Screws B

(4) License light cover

(5) License light lens

(6) Bulb