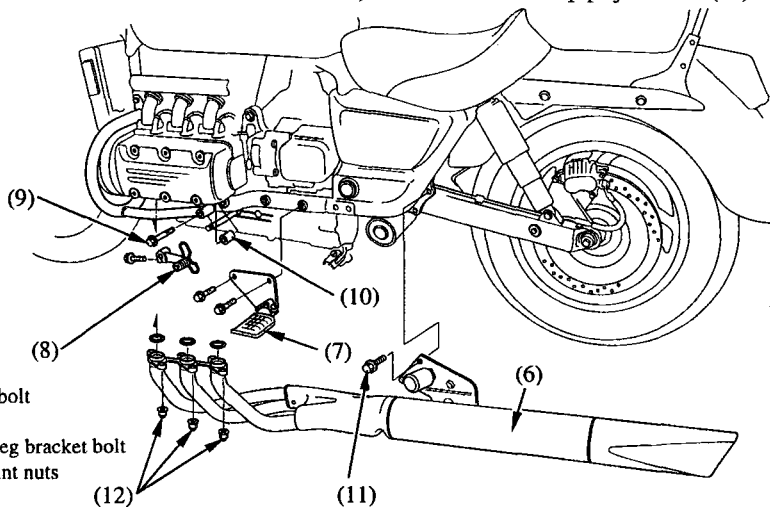


3. Remove the left muffler (6).

- 1) Remove the left footpeg (7) by removing two bolts.
- 2) Remove the shift pedal (8) by removing the bolt.

3) Remove the bumper mount bolt (9) and collar (10).

- 4) Remove the passenger footpeg bracket bolts (11).
- 5) Remove the exhaust pipe joint nuts (12).



- (6) Left muffler
- (7) Left footpeg
- (8) Shift pedal
- (9) Bumper mount bolt
- (10) Collar
- (11) Passenger footpeg bracket bolt
- (12) Exhaust pipe joint nuts