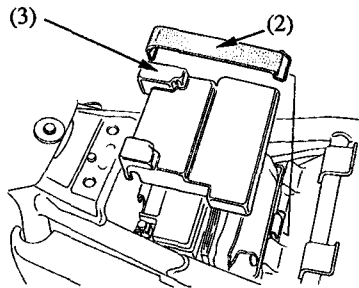


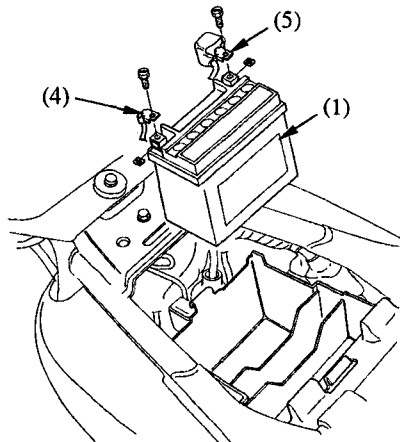
Battery Removal

The battery (1) is in the battery box below the seat.

1. Remove the seat (page 39).
2. Remove the rubber band (2) and battery cover(3).
3. Disconnect the negative (-) terminal lead (4) from the battery first, then disconnect the positive (+) terminal lead (5).
4. Pull out the battery (1) from the battery box.



- (2) Rubber band
(3) Battery cover



- (1) Battery
(4) Negative (-) terminal lead
(5) Positive (+) terminal lead