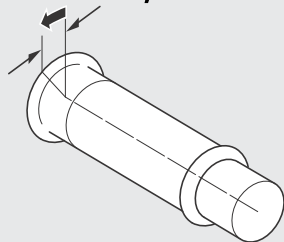


- ④ Press the start button with the throttle completely closed.
- ▶ If you cannot start the engine, open the throttle slightly (about 3 mm, without freeplay) and press the start button.

About 3 mm, without freeplay



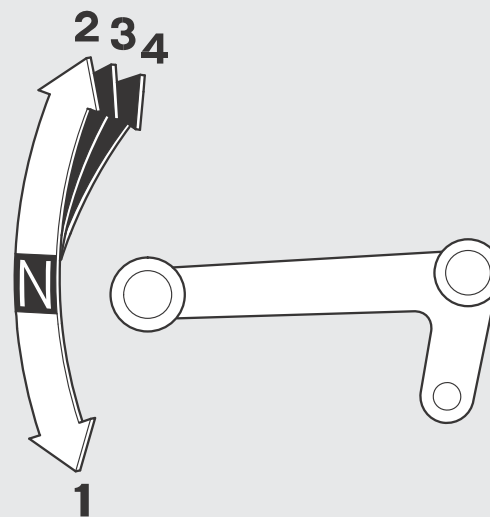
If the engine does not start:

- ① Open the throttle fully and press the start button for 5 seconds.
- ② Repeat the normal starting procedure.
- ③ If the engine starts, open the throttle slightly if idling is unstable.
- ④ If the engine does not start, wait 10 seconds before trying steps ① & ② again.

If Engine Will Not Start ➔ P.70

Shifting Gears

Your motorcycle transmission has four forward gears in a one-down, three-up shift pattern.



If you put the motorcycle in gear with the side stand down, the engine will shut off.