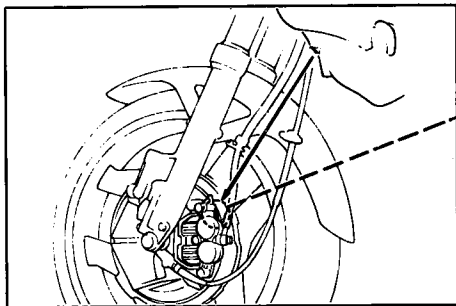


## Outer pad inspection:



Replace the pad with a new one if the surface A (back of the brake pad) aligns with the surface B as shown.

If either pad is worn beyond the above limit, both pads must be replaced. Make sure there are no fluid leaks. Check for deterioration or cracks in the hose fitting.

### NOTE:

- \* Use only genuine Honda replacement brake pads offered by authorized Honda dealers or its equivalent. When the brake service is necessary, consult your Honda dealer.

