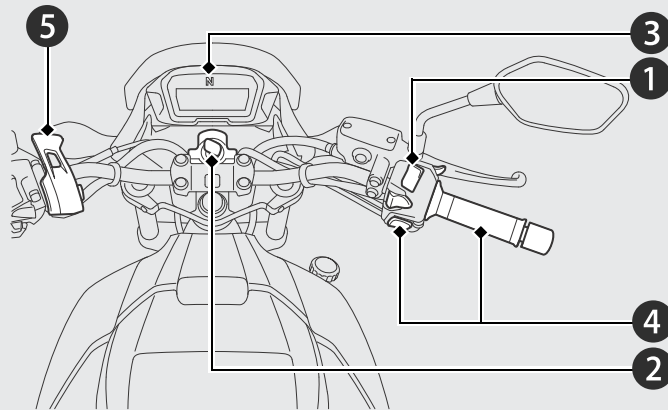



**(NC700SD)**

Start your engine using the following procedure, regardless of whether the engine is cold or warm.

**NOTICE**

- If the engine does not start within 5 seconds, turn the ignition off and wait 10 seconds before trying to start the engine again for recovery of battery voltage.
- Extended fast idling and revving the engine can damage the engine, and the exhaust system.
- Snapping the throttle or fast idling for more than about 5 minutes may cause exhaust pipe discoloration.

- 1 Make sure the engine stop switch is in the RUN  position.
- 2 Turn the ignition switch to the ON position.
- 3 Check the transmission in Neutral (N indicator comes on).
- 4 Press the start button with the throttle completely closed.
- 5 Make sure the parking brake lever is released before riding.

**If Engine Does Not Start**  **P.34****When you stop the engine**

- 1 To stop the engine, put gear to Neutral (N indicator comes on).
  - ▶ If you turn the ignition switch to the OFF position when the motorcycle in gear, the engine will shut off with the clutch disengaged.
- 2 Turn the ignition switch off.
- 3 Pull the parking brake lever when you park the motorcycle.