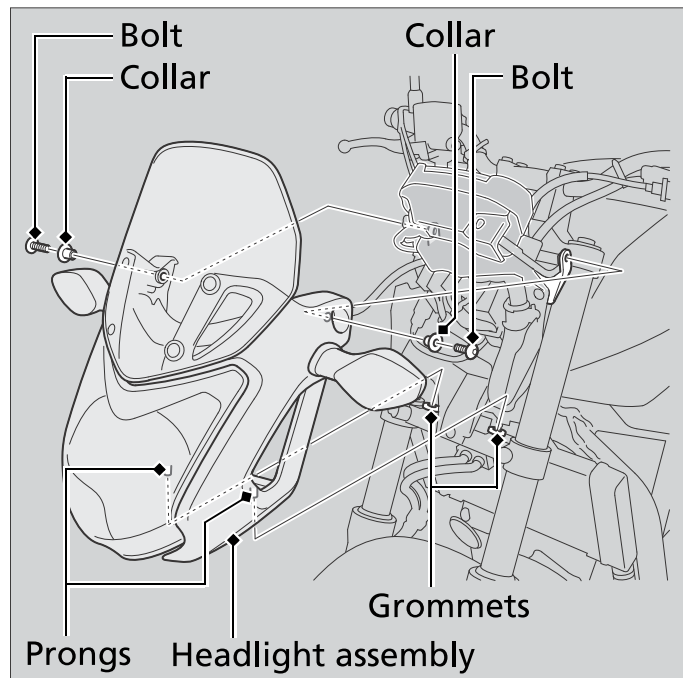
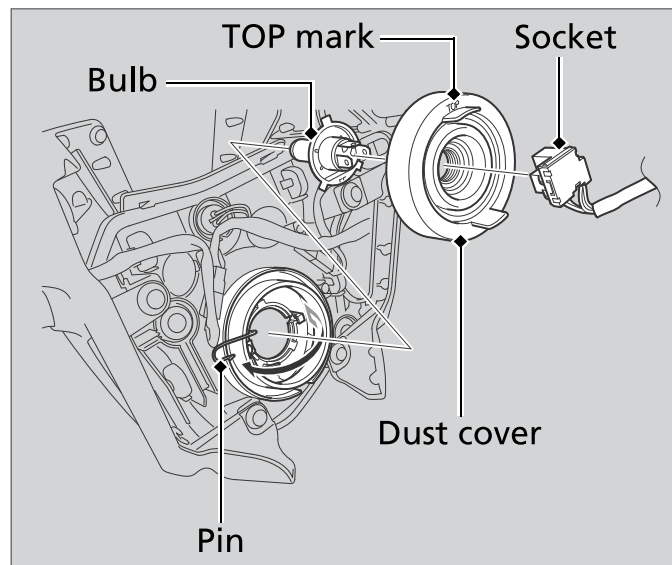


Electrical Trouble ▶ Burned-out Light Bulb

Headlight Bulb



1. Remove the bolts and collars.
2. Remove the headlight assembly, then remove the prongs from the grommets.



3. Pull off the socket without turning.
4. Remove the dust cover.
5. Press the pin down and pull out the bulb without turning it.
6. Install a new bulb and parts in the reverse order of removal.
 - ▶ Install the dust cover with its "TOP" mark facing up.

Troubleshooting