

FUEL

Fuel Tank

The fuel tank capacity including the reserve supply is:

15.0 ℓ (3.96 US gal , 3.30 Imp gal)

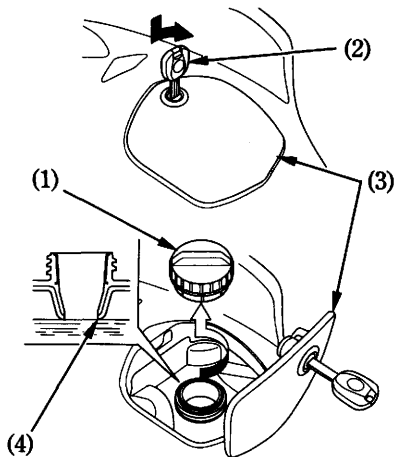
To open the fuel fill cap (1), insert the ignition key (2) and turn it clockwise to open the fuel fill lid (3). Turn the fuel fill cap counterclockwise to remove it.

Do not overfill the tank. There should be no fuel in the filler neck (4).

After refueling, be sure to tighten the fuel fill cap firmly by turning it clockwise until it clicks.

Close the fuel fill lid.

Remove the key from the fuel fill lid.



(1) Fuel fill cap
(2) Ignition key

(3) Fuel fill lid
(4) Filler neck