

If the clearances between each surface of the brake disc and the brake caliper body (4) (not the brake pads) are symmetrical, follow next step.

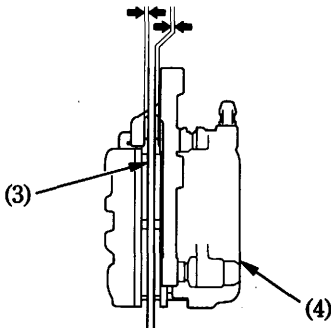
If the clearances are not symmetrical, loosen the left axle pinch bolts and pull the left fork outward or push inward to adjust the clearance. Then follow the next step.

8. Tighten the axle pinch bolts on the right fork leg to specified torque:

22 N·m (2.2 kgf·m , 16 lbf·ft)

- Visually check that the clearances between each surface of the brake disc and the brake caliper body (not the brake pads) are symmetrical.
- After installing the wheel, operate the brake pedal several times until you feel pressure. You must restore pressure from the lever because this motorcycle is equipped with a Combined Brake System.

If the torque wrench was not used for installation, see your Honda dealer as soon as possible to verify proper assembly. Improper assembly may lead to loss of braking capacity.



- (3) Brake disc  
(4) Brake caliper body