

## ENGINE OIL

### Oil Level

When the low oil level indicator lights, it means the oil level in the oil tank is low; stop the engine and fill the oil tank as soon as possible.

### **▲ WARNING**

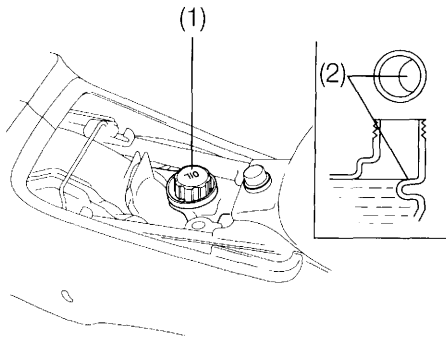
- If the low oil level indicator comes on while riding, stop riding and shut the engine off. Fill the oil tank to the **UPPER level ridge** with the recommended oil (see page 28). Continuing to ride with a low oil level may lead to engine failure that could result in an accident.

### CAUTION :

- If the engine has been run after the low oil level indicator has come on, the motorcycle must be taken to an authorized Honda dealer for inspection and bleeding of the oil system. Failure to do this will result in serious engine damage.

To fill, remove the front seat (page 36), remove the oil tank cap (1), and fill with the recommended oil up to the **UPPER LEVEL** ridge (2).

Oil capacity : 1.2 l



- (1) Oil tank cap
- (2) Upper level ridge