

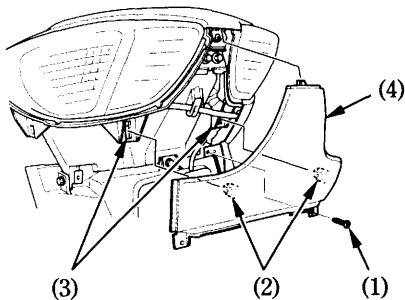
## REAR BODY LOWER COVER

### Removal:

1. Remove the left body cover (page 104 ).
2. Remove the screw (1) and remove the hooks (2) from slots (3).
3. Remove the rear body lower cover (4).

### Installation:

- Installation can be done in the reverse order of removal.



(1) Screw  
(2) Hooks

(3) Slots  
(4) Rear body lower cover