

RIGHT HANDLEBAR CONTROLS

Engine Stop Switch

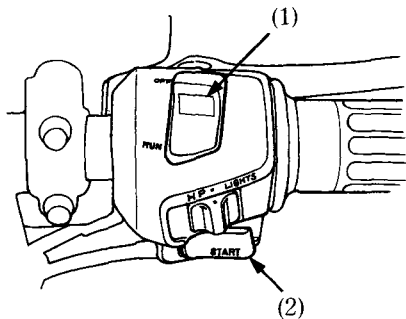
The engine stop switch (1) is next to the throttle grip. When the switch is in the RUN position, the engine will operate. When the switch is in the OFF position, the engine will not operate. This switch is intended primarily as a safety or emergency switch and should normally remain in the RUN position.

Starter Button

The starter button (2) is below the engine stop switch (1).

When you press in the button, the starter cranks the engine.

See page 42 for "Starting Procedure."



- (1) Engine stop switch
- (2) Starter button