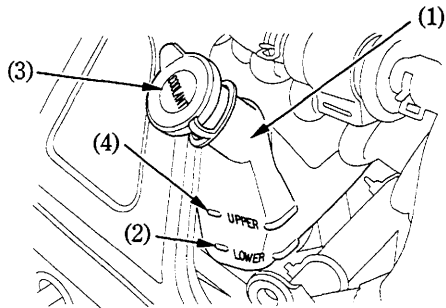


Inspection

The reserve tank is behind the left side cover.

Check the coolant level in the reserve tank (1) while the engine is at the normal operating temperature with the motorcycle in an upright position. If the coolant level is below the LOWER level mark (2), remove the left side cover (page 40) and the reserve tank cap (3). Add coolant mixture until it reaches the UPPER level mark (4). Do not remove the radiator cap.



- | | |
|----------------------|----------------------|
| (1) Reserve tank | (3) Reserve tank cap |
| (2) LOWER level mark | (4) UPPER level mark |