

RIGHT HANDLEBAR CONTROLS

Engine Stop Switch

The engine stop switch (1) is next to the throttle grip. When the switch is in the

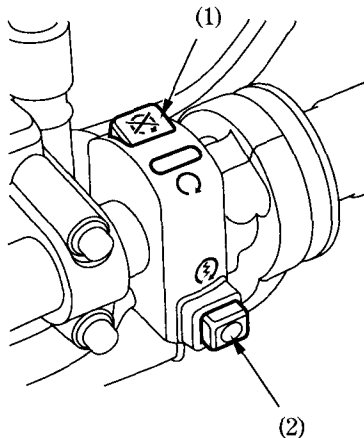
○ (RUN) position, the engine will operate. When the switch is in the ☒ (OFF) position, the engine will not operate. This switch is intended primarily as a safety or emergency switch and should normally remain in the ○ (RUN) position.

Starter Button

The starter button (2) is below the engine stop switch (1).

When the starter button is pressed the starter motor will crank the engine, and the headlight will automatically go out, but the taillight will stay on.

See pages 37 — 38 for “Starting Procedure”.



- (1) Engine stop switch
- (2) Starter button