

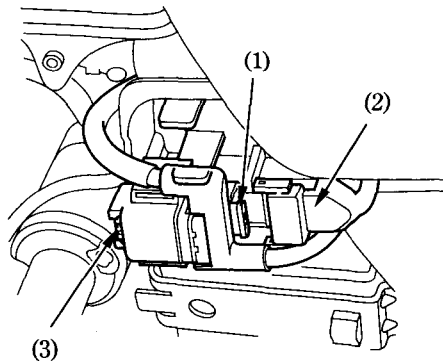
### Main fuse:

The main fuse (1) is located near the battery.

The specified fuse is:

**20A**

1. Remove the left side cover (page 33).
2. Disconnect the wire connector (2) of the starter magnetic switch.
3. Pull out the old fuse and install a new fuse.  
The spare fuse (3) is located under the starter magnetic switch .
4. Reconnect the connector and install the left side cover.



(1) Main fuse  
(2) Wire connector

(3) Spare fuse