

MAINTENANCE

SERIAL NUMBERS

The frame and engine serial numbers are required when registering your motorcycle. They may also be required by your dealer when ordering replacement parts.

Record the numbers here for your reference.

The frame number is stamped on the right side of the steering head.

The engine number is stamped on the rear of the lower crankcase behind the oil pan.

COLOUR LABEL

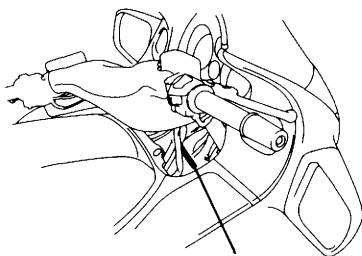
The colour label is attached to the frame under the seat. It is helpful when ordering replacement parts. Record the colour and code here for your reference.

FRAME NO. _____

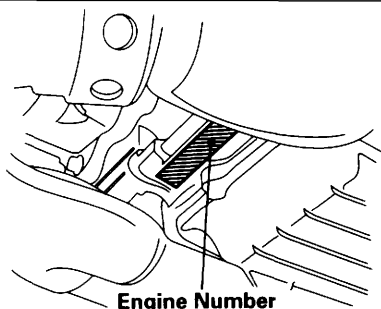
ENGINE NO. _____

COLOUR _____

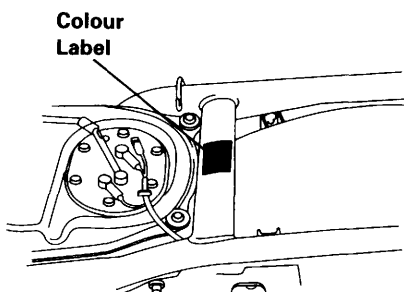
CODE _____



Frame Number



Engine Number



Colour Label