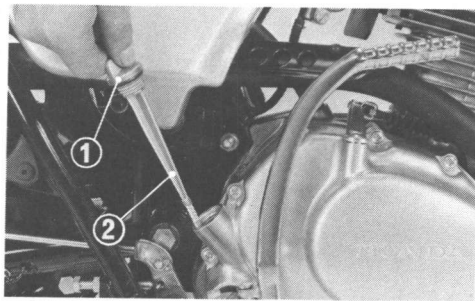


MAINTENANCE OPERATIONS

Engine Oil Level

Check engine oil level at the start of each day the motorcycle is to be operated. The oil filler cap ① is located on the right crankcase cover and contains a dipstick ② for measuring oil level. Oil level must be maintained between the upper ③ and lower ④ oil level marks on the dipstick. Oil level must be checked with the motorcycle standing upright on level ground

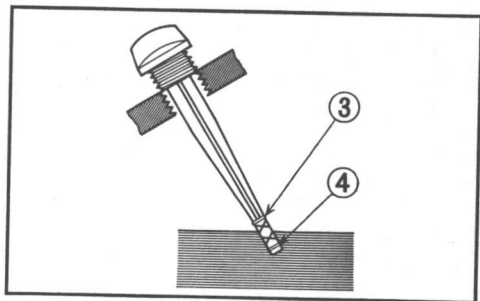


① Oil filler cap ② Dipstick

and the oil filler cap touching the surface of the filler opening but not screwed in.

Engine Oil Change

Engine oil should be changed in accordance with the maintenance schedule on page 25~27. Use only motor oil of the grade and viscosity recommended on page 14. When changing oil, drain the used oil



③ Upper oil level mark ④ Lower oil level mark