

LIGHTS

Headlight and Dimmer Switches

The headlight and dimmer switches (Fig. 2-9) are above the engine stop switch, next to the left handgrip.

Turning the headlight switch (1) ON turns the headlights on. Use the dimmer switch (2) to select either high beam (HI) or low beam (LO).

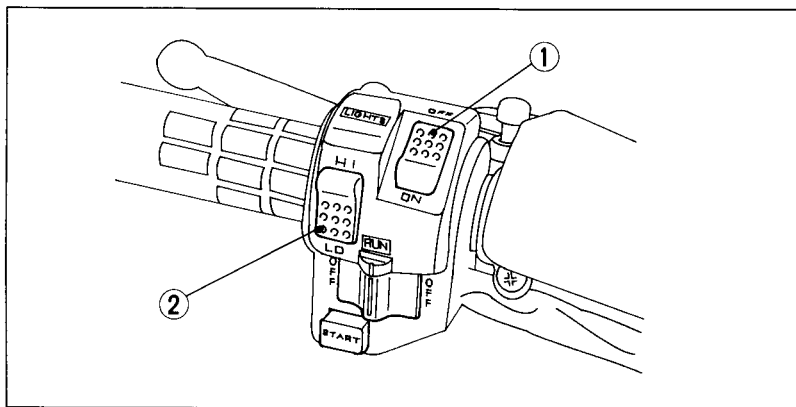


Fig. 2-9

(1) Headlight switch

(2) Dimmer switch