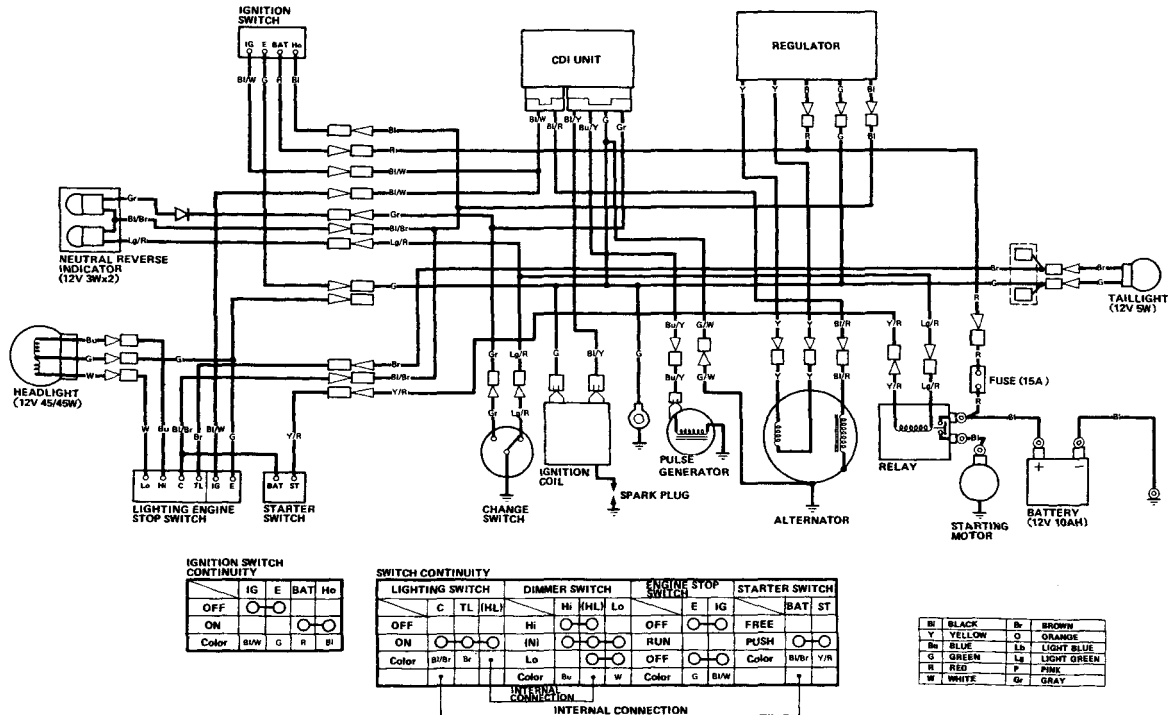


# WIRING DIAGRAM



**IGNITION SWITCH CONTINUITY**

	IG	E	BAT	Ho
OFF	○	○	○	○
ON	○	○	○	○
Color	B/W	G	R	B

**SWITCH CONTINUITY**

LIGHTING SWITCH		DIMMER SWITCH			ENGINE STOP SWITCH		STARTER SWITCH	
OFF	C TL (HL)	Hi	Ni (HL)	Lo	OFF	E IG	FREE	BAT ST
ON	○	○	○	○	○	○	PUSH	○
Color	B/W Br	Lo	Color	Bu	W	Color	G B/W	Bu/R Y/R

B	BLACK	Br	BROWN
Y	YELLOW	O	ORANGE
Bu	BLUE	Lb	LIGHT BLUE
G	GREEN	Lg	LIGHT GREEN
R	RED	P	PINK
W	WHITE	Gr	GRAY

0030Z-HB3-0000