

- (13) Flag pole bracket
- (14) Seat lock lever
- (15) Fuel valve
- (16) Oil filler cap/dipstick
- (17) Gearshift pedal
- (18) Operator footpeg

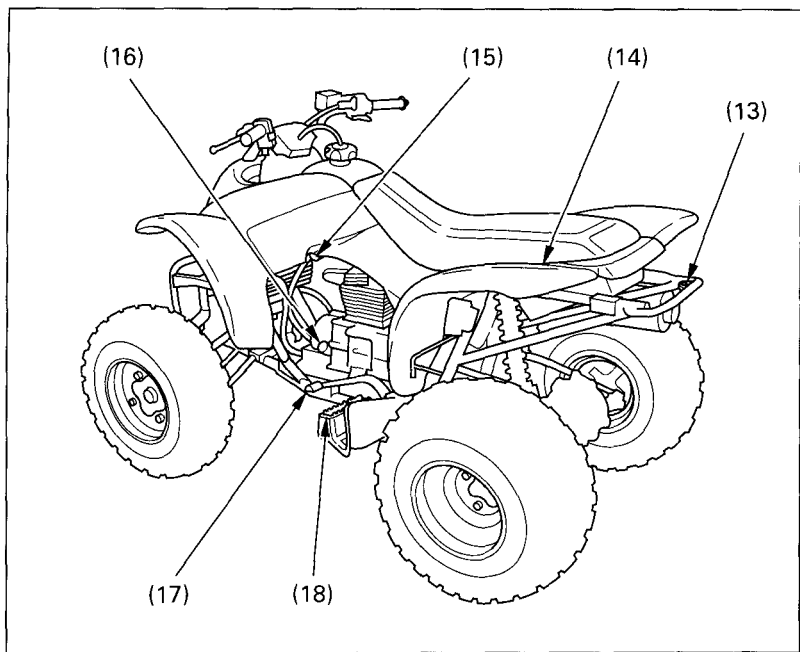


Fig. 2-3

Left side of Sportrax