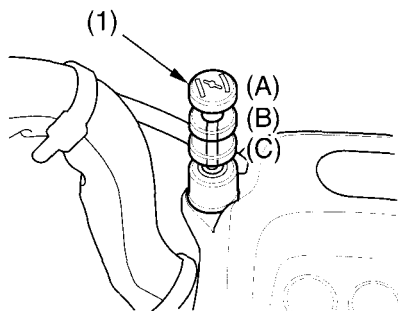


Controls & Features

Choke Knob



LEFT HANDLEBAR



(1) choke knob

(A) fully ON

(B) half way position

(C) fully OFF

The choke knob may be used when starting the engine. See page 47 .