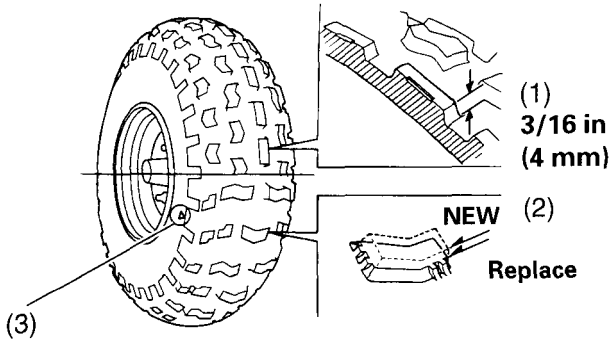


Tires

Also, if you hit a pothole or other hard object while riding, stop as soon as you safely can and carefully inspect the tires for damage.

Tread Wear



(1) groove depth
(2) wear indicator

(3) wear indicator
location mark

To check the condition of a tire tread, measure the groove depth (1) in the center of the tire, or check the wear indicator (2).

For best performance, you should replace a tire before the tread depth at the center reaches the following limits:

| | |
|-------|----------------|
| front | 3/16 in (4 mm) |
| rear | 3/16 in (4 mm) |