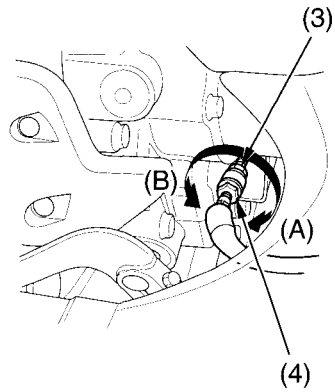
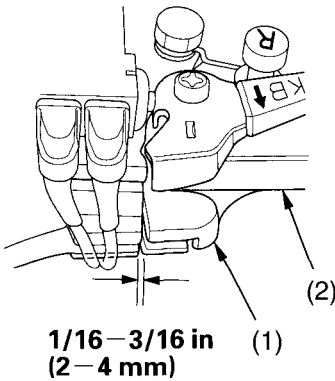


Reverse Lock System

Reverse Lock System Adjustment

Refer to *Safety Precautions* on page 77 .

LEFT HANDLEBAR



- (1) reverse assist lever (3) lock nut (A) decrease freeplay
(2) rear brake lever/
parking brake lever (4) adjusting nut (B) increase freeplay

1. Check the reverse assist lever (1) freeplay, measured at the rear brake lever/parking brake lever (2) end near the cable:
1/16 – 3/16 in (2 – 4 mm)
2. To adjust, loosen the lock nut (3) and turn the adjusting nut (4).
After adjustment, tighten the lock nut securely.

Other Checks

Check the reverse assist lever and cable for loose connections or other damage. If the cable is worn or kinked, have it replaced by your Honda dealer.